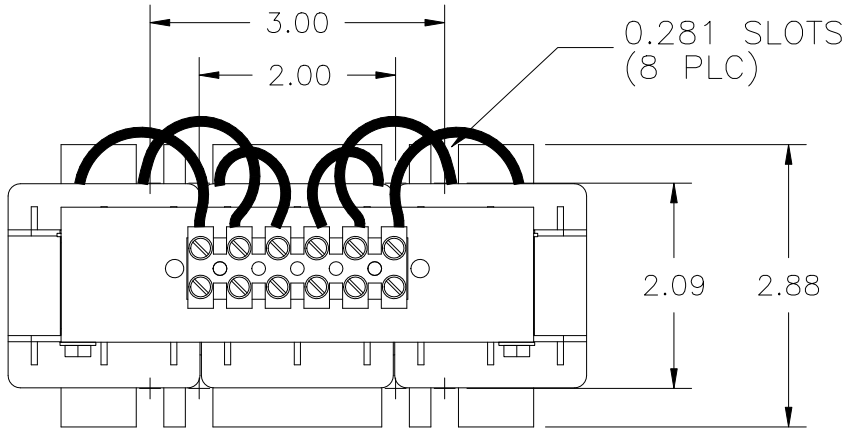


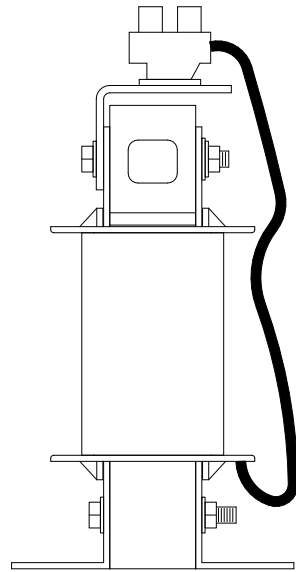
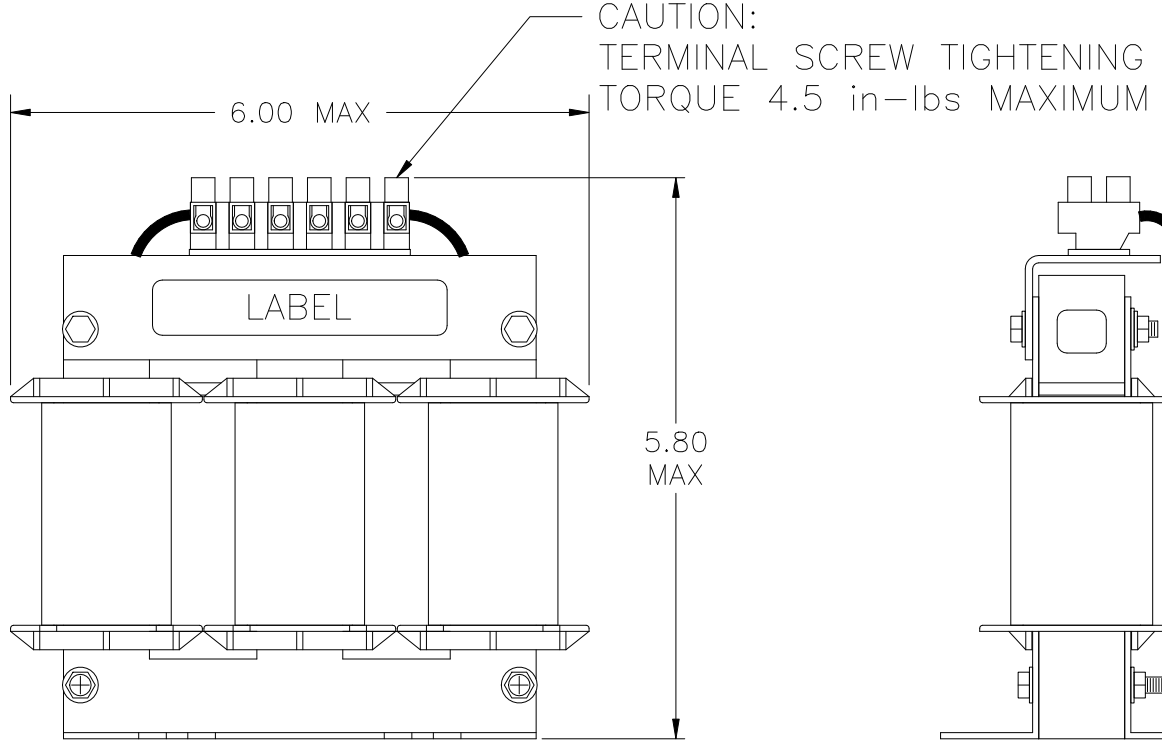
FILE: P:\DEPT'S\ENGR\PROD. DOCS\RLW\RLW-01405

INDUCTANCE	WEIGHT (LBS)	LOSS (WATTS)
2.6mH	7.1	60.6

NO.	CHANGE DESCRIPTION	BY	DATE	C'K'D
-----	--------------------	----	------	-------



WIRE RANGE: 22-10AWG



UNLESS OTHERWISE SPECIFIED, DIMENSIONS ARE IN INCHES [mm] AND TOLERANCES ARE:

DECI. FRAC.
ANGLES DRILLED HOLES

PART NAME:	3 PHASE REACTOR
DESCRIPTION:	OUTLINE DIMENSIONS
FINISH:	

MTE CORPORATION MENOMONEE FALLS, WISCONSIN			
CD RLW-001405			REV. 02
SCALE	NTS	DATE	04/02/09
REF.		DR. BY	RKT
		C'K'D	
		APP'D	